

STV series

Vertical Multistage Centrifugal Pumps



CE
MADE IN ITALY

GENERAL FEATURES

Field of application

This series of motor-driven pumps is fit for use in pressurisation units, for rain irrigation, washing equipment, supply of autoclaves and water supplies in general. Their low energy consumption and high efficiency make them versatile and reliable

Features

- G20 cast iron pumping/pressing pump casing
- AISI 304 stainless steel liner
- AISI 304 stainless steel impeller
- Techno-polymer diffuser casings, diffusers and intermediate plate
- Carbon/Ceramic mechanical seal
- Stainless steel shaft
- Max pressure allowed in pump casing: 8 bar up to 1.2 HP
- Max pressure allowed in pump casing: 10 bar from 1.5 to 3 HP
- Max pressure allowed in pump casing: 18 bar from 4 to 6.6 HP

Performance data

- Flow rate up to 10 m³/h
- Heads up to 160 m
- Pumped fluid: clean, free from suspended abrasive particles, non aggressive but similar to water.
- Temperature of pumped fluid up to: +45 °C
- Room temperature: +40 °C
- Rotation speed: ~2900 min⁻¹

Motor

- The control motors are asynchronous, squirrel cage-type, closed, with external ventilation.
- In-built thermo-amperometric protection and capacitor always on, for single-phase models.
 - The motor protection for three-phase models must be installed by the customer. Equipment compliant with current standards should be used.
 - Class of insulation: F - service: S1 - Degree of protection: IP 44 (IP 55 available on request).
 - Dynamically balanced rotor mounted on oversize ball bearings.
 - Standard voltages: single-phase Volt 230- 50 Hz three-phase Volt 230/400 - 50 Hz for power <- 4 kW Volt 400/690 - 50 Hz for power >- 5.5 kW

Installation

The pump is to be installed in vertical position. The motor must always be placed above the pump.

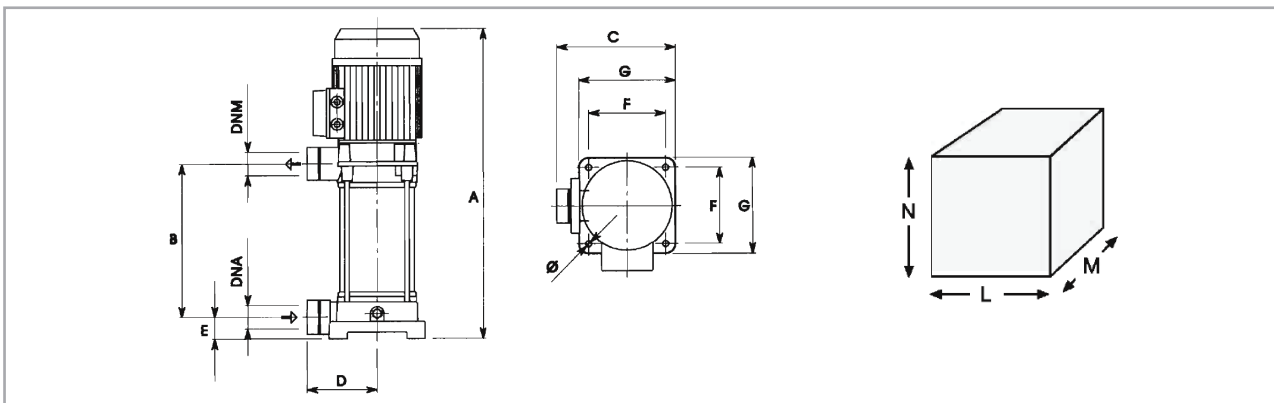
TABLE OF HYDRAULIC PERFORMANCES

TYPE		P ₂		Capacitor		Input Current			Q	Capacity								
Single-phase 230Volt 50Hz	Three - phase 400Volt 50Hz	Normal		μF	V _c	Amp.			m ³ /h	0	1.2	2.4	3.6	4.8	6.0	7.2	8.4	9.6
		kW	HP			1~	3~	l/min										
		230	230			400	H	Total head										
STV 150	STV 150 T	1.1	1.5	31.5	450	9	6	3.5	m	50	48	45.7	43	39.5	35	29.2	21.5	14
STV 200	STV 200 T	1.5	2	40	450	11	7.2	4.2		60	59	56	53	48.5	42	35	25	15
STV 300	STV 300 T	2.2	3	50	450	12.5	8.7	5		74.4	72	68.5	64.5	58	51.5	43	33.4	21
STV 350	STV 350 T	2.5	3.5	70	450	14	10.9	6.3		85	82	78	72	65	56	46	35	20
STV 400	STV 400 T	3	4	70	450	16	12.1	7		98	93	89	81	74	68	57	44	25
-	STV 550 T	4	5.5	-	-	-	15.6	9		135	132	126	118	108.5	95	80	60	38
-	STV 650 T	4.8	6.5	-	-	-	17.5	10.1		160	156	148.5	140	128	115	96	73	46

TABLE OF SIZES AND WEIGHTS

TYPE	kW	HP	Imp.	A	B	C	D	F	G	Ø	E	DNA	DNM	Packing			Weight kg
														N	L	M	
STV 150 (T)	1.1	1.5	4	476	198	210	125	135	170	11	38	1" 1/2G	1" 1/4G	235	225	560	22
STV 200 (T)	1.5	2	4	510	232	210	125	135	170	11	38	1" 1/2G	1" 1/4G	235	225	560	23
STV 300 T	2.2	3	5	542	265	210	125	135	170	11	38	1" 1/2G	1" 1/4G	235	225	560	24
STV 300	2.2	3	5	585	265	210	125	135	170	11	38	1" 1/2G	1" 1/4G	245	250	680	30
STV 350 T	2.5	3.5	6	740	278	210	125	135	170	11	38	1" 1/2G	1" 1/4G	280	245	790	36.5
STV 350 M	2.5	3.5	6	740	278	210	125	135	170	11	38	1" 1/2G	1" 1/4G	280	245	790	38
STV 400 T	3	4	7	770	311	210	125	135	170	11	38	1" 1/2G	1" 1/4G	280	245	790	37.2
STV 400 M	3	4	8	770	311	210	125	135	170	11	38	1" 1/2G	1" 1/4G	280	245	790	39
STV 550 T	4	5.5	11	870	412	210	125	135	170	11	38	1" 1/2G	1" 1/4G	280	245	950	41.5
STV 650 T	4.8	6.5	13	940	480	210	125	135	170	11	38	1" 1/2G	1" 1/4G	280	245	950	42.5

TECHNICAL SPECIFICATIONS



HYDRAULIC PERFORMANCES

